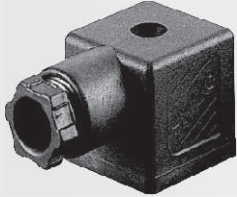


# CONNECTOR

For PU220, PU220AR-03, PU225, AM325, SPU225, PE220 series

## Order code

CODE: CN3018S9BSG



## Order code

CODE:

AC : CN3018S9ASM

DC : CN3018S9DSM



## Order code

CODE: CN3018SNBMM

1/2" NPTF conduit connector

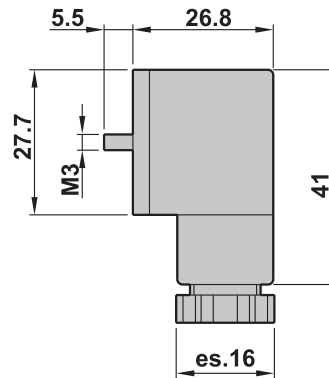
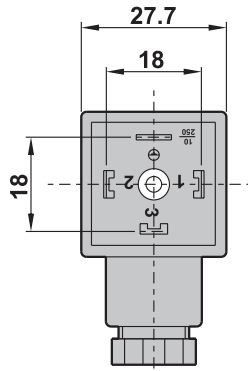


## Specifications

Housing	Black and gray: PA+30% GF
Contact holder, Gland out	PA + 30% FV/ /PA 30% GF
Gland size	M20x1.5 or 1/2"NPTF
Contact material	Cu Zn (AG)
Max. voltage	250VAC/300VDC
Max. current	16A
Operating current	10A
Spacing	18mm
Max. wire cross-section	1.5mm <sup>2</sup>
Insulation class	C-VDE0110
Working temperature	-40°C ~ +120°C

## Dimensions

- **CN3018S9BSG**
- **CN301839ASM**
- **CN301839DSM**



- **CN3018SNBMM**

